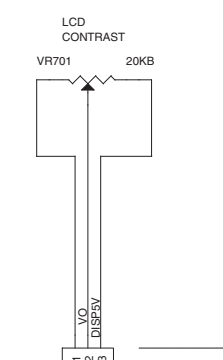
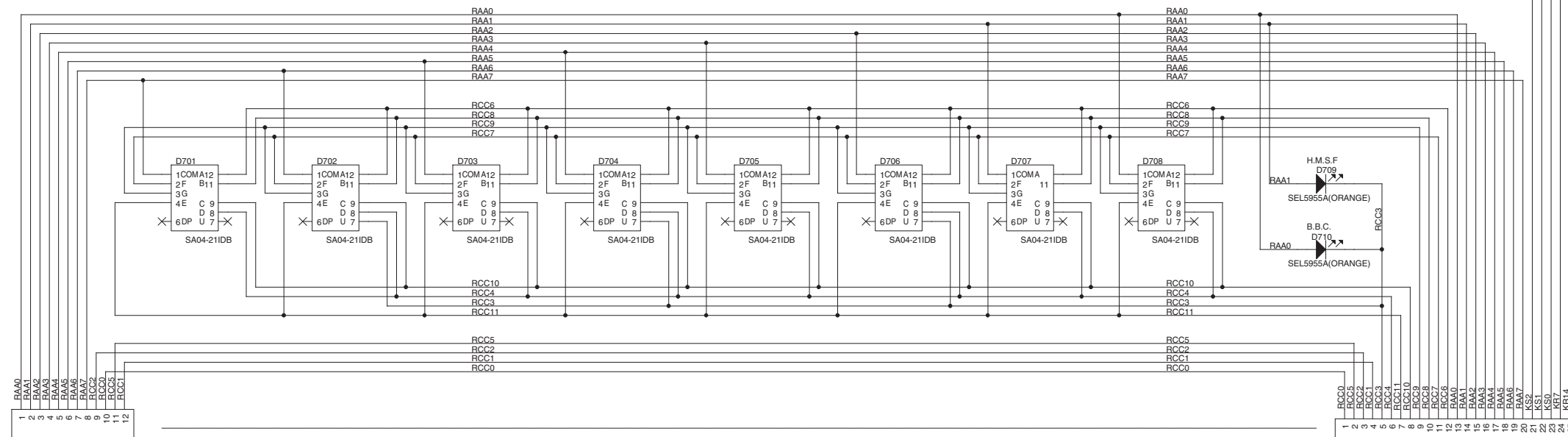
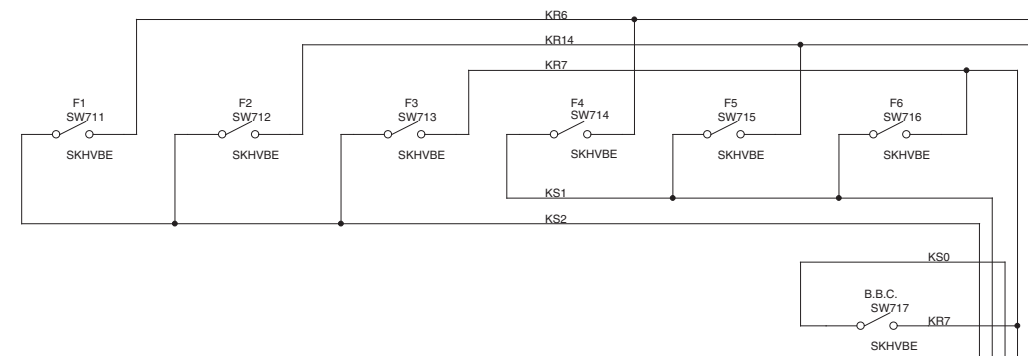


L3056A504B LCD_D(2/2)



W413
WIRE ASSY L3056 W413 12P
TO
OPE_DIST

J411 26FE-ST-VK-N
TO
OPERATION_R

W416
WIRE ASSY L3056 W416 3P
TO
OPE_DIST

DPS24
PC 7 SEG (2/2)
SCHEMATIC DIAGRAM