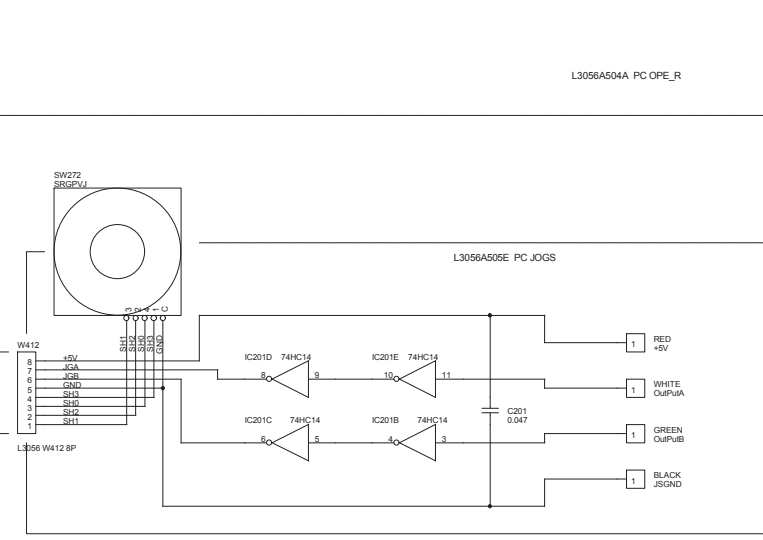
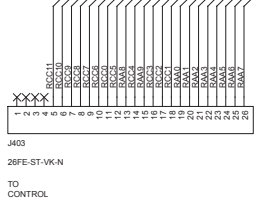
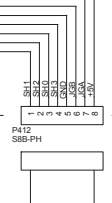
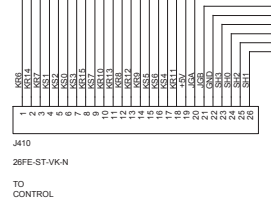
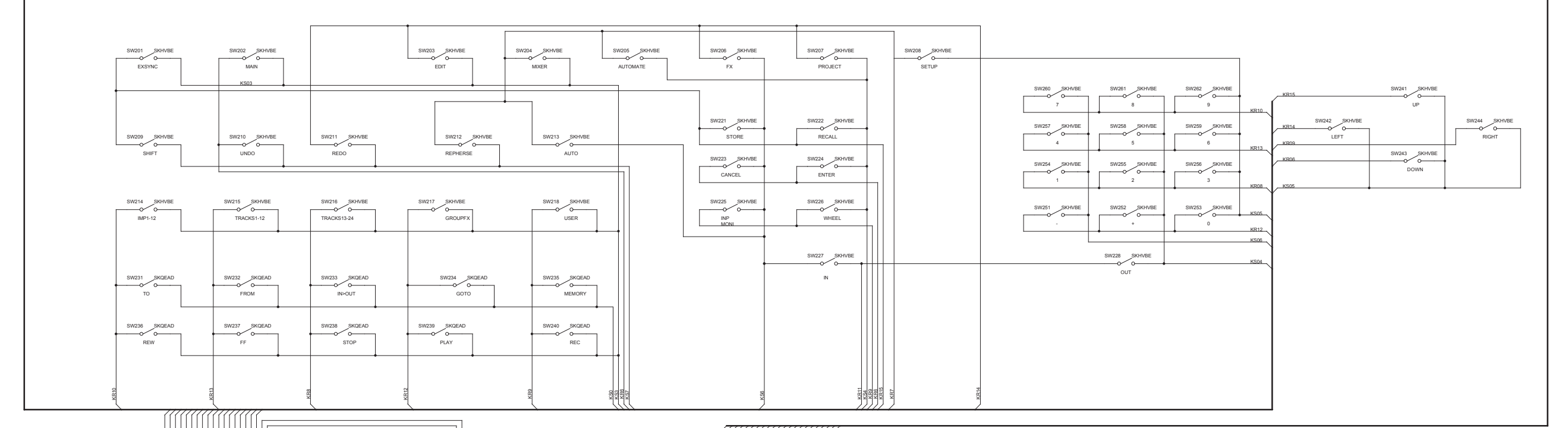
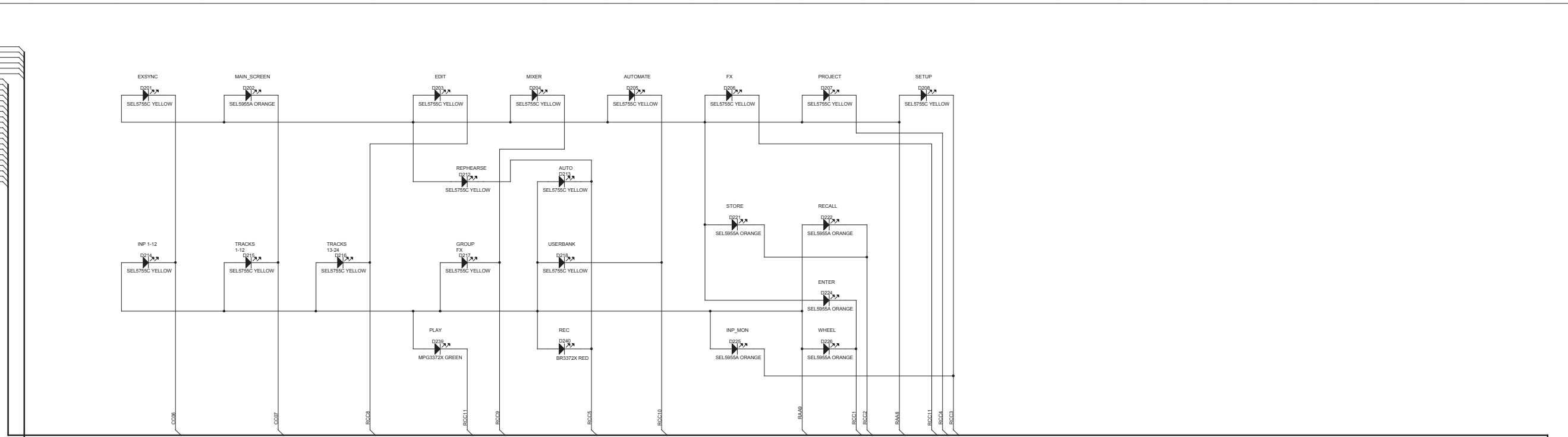


TO LCD\_D

- 1 KR8
- 2 KR4
- 3 KR7
- 4 KS2
- 5 KS1
- 6 KS2
- 7 RA4
- 8 RA4
- 9 RA4
- 10 RA4
- 11 RA4
- 12 RA4
- 13 RA4
- 14 RA4
- 15 RC2
- 16 RC7
- 17 RC2
- 18 RC2
- 19 RC4
- 20 RC4
- 21 RC3
- 22 RC4
- 23 RC2
- 24 RC2
- 25 RC2

28FE-ST-VK-N



L3056A504A PC OPE\_R

DPS24  
PC OPERATION R  
SCHEMATIC DIAGRAM