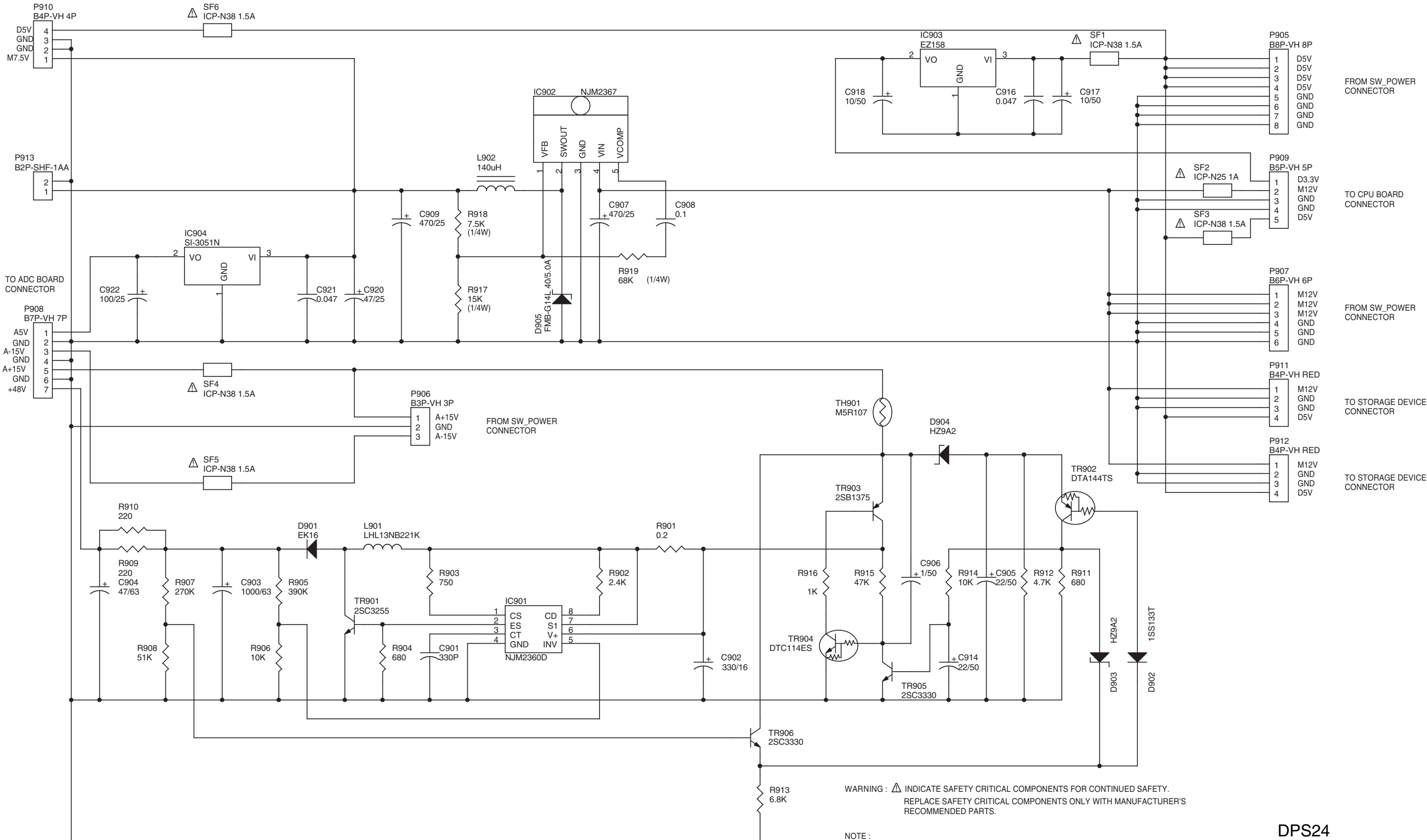


TO PANEL CONT BOARD CONNECTOR



WARNING : \triangle INDICATE SAFETY CRITICAL COMPONENTS FOR CONTINUED SAFETY.
 REPLACE SAFETY CRITICAL COMPONENTS ONLY WITH MANUFACTURER'S RECOMMENDED PARTS.

NOTE :
 UNLESS OTHERWISE SPECIFIED
 ALL RESISTORS IN OHMS 1/6W(J)
 ALL CAPACITORS IN uF/50V(P=PF)
 ALL ELECTROLYTIC CAPACITORS IN uF/V(M)
 ALL INDUCTORS IN uH(J)

**DPS24
 PC POWER
 SCHEMATIC DIAGRAM**